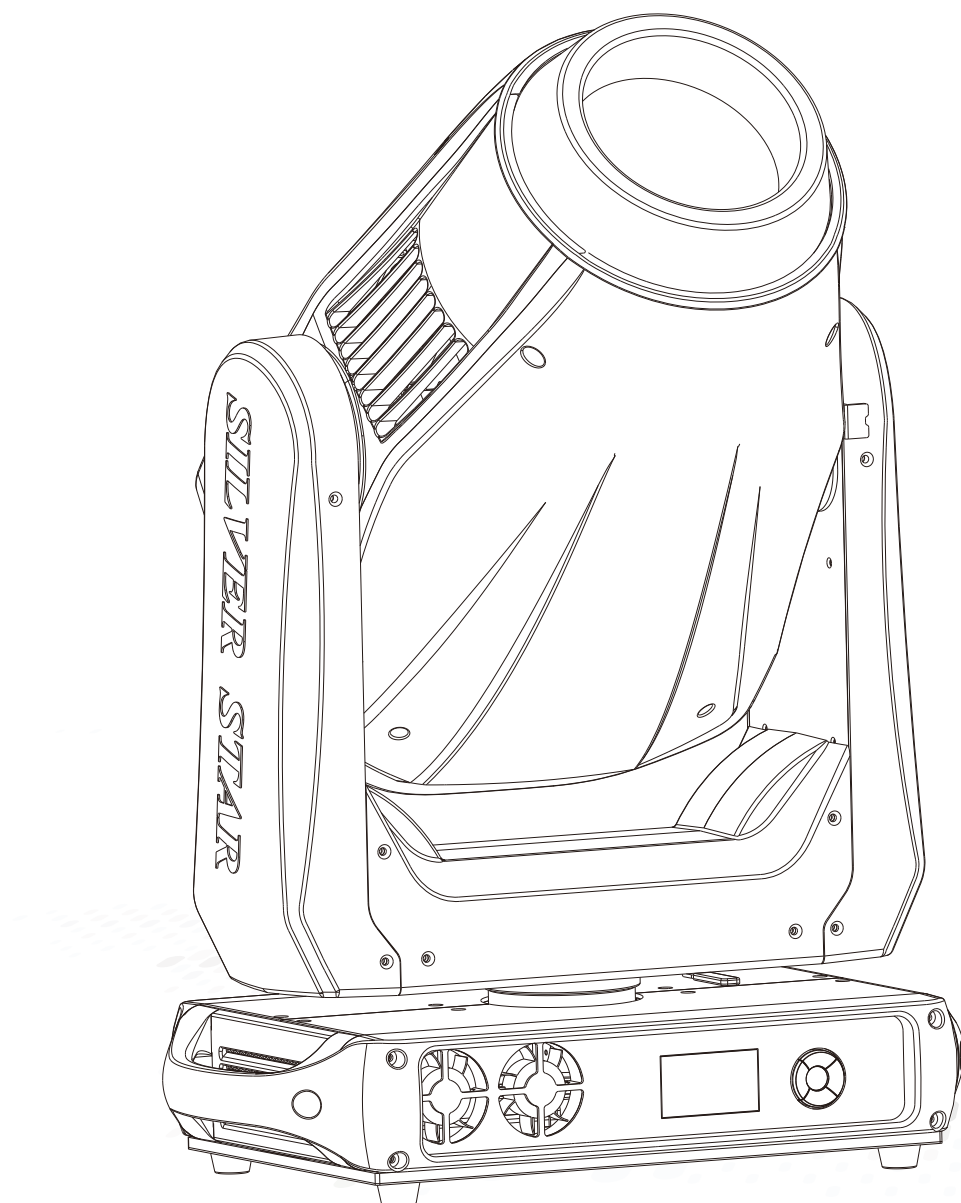


SHOWPRO

Pluto 600 Profile

MANUAL

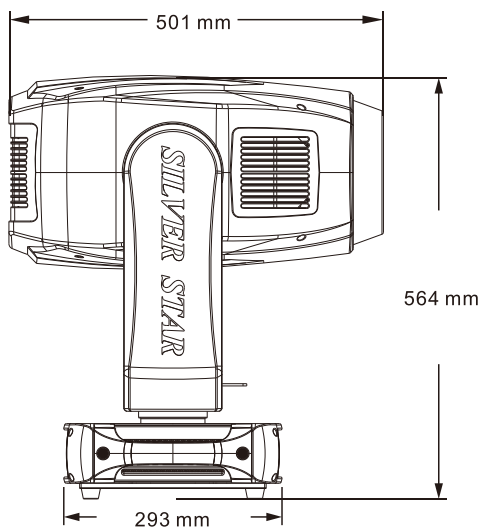
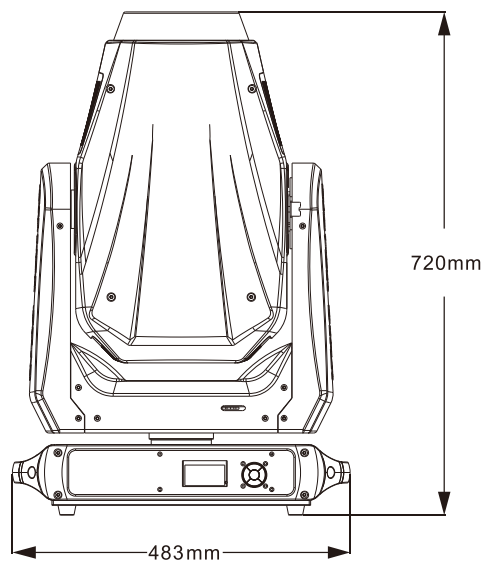
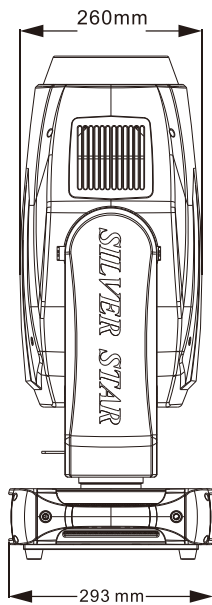
LEDMOV523



1 Product Introduction

1.1 Specification

Product Code	LEDMOV523
Dimension	483 × 293 × 720(mm)
Weight	34KG
Rated Power	880W
Input Voltage	AC100~240V
Frequency Range	50/60Hz
Ambient Temperature	0°C~45°C
Beam Angle	7°~50°
Control Model	DMX512/RDM/Art-net



1.2 Safety warning

IMPORTANT

Always read the user manual before operation.

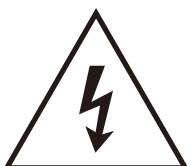
Please confirm that the power supply stated on the product is the same as the mains power supply in your area.

- This product must be installed by a qualified professional.
- Always operate the equipment as described in the user manual.
- A minimum distance of 0.5m must be maintained between the equipment and combustible surface.
- The product must always be placed in a well ventilated area.
- Always make sure that the equipment is installed securely.
- Do not stand close to the equipment and stare directly into the LED light source.
- Always disconnect the power supply before attempting and maintenance.
- Always make sure that the supporting structure is solid and can support the combined weight of the products.
- The earth wire must always be connected to the ground.
- Do not touch the power cables if your hands are wet.

ATTENTION

⚠ ATTENTION ⚠

- This product left the place of manufacture in perfect condition. In order to maintain this condition and for safe operation, the user must always follow the instructions and safety warnings described in this user manual.
- Avoid shaking or strong impacts to any part of the equipment.
- Make sure that all parts of the equipment are kept clean and free of dust.
- Always make sure that the power connections are connected correct and secure.
- If there is any malfunction of the equipment, contact your distributor immediately.
- When transferring the product, it is advisable to use the original packaging in which the product left the factory.
- Shields, lenses or ultraviolet screens shall be changed if they have become damaged to such an extent that their effectiveness is impaired.
- The lamp (LED) shall be changed if it has become damaged or thermally deformed.



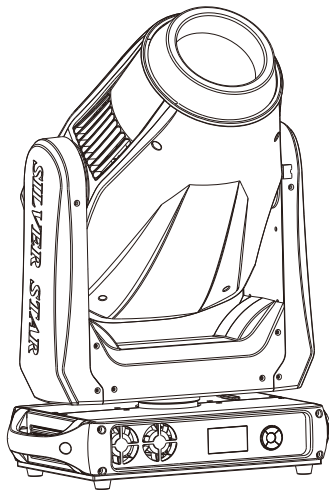
Caution, risk of electric shock
The light source contained in this luminaire shall only be replaced by the manufacturer or his service agent or a similar qualified person.

2 Installation

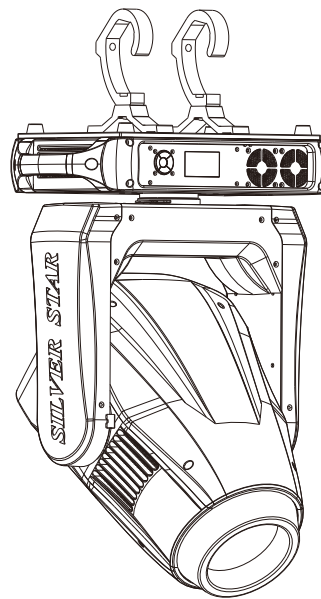
2.1 Mounting

The fixture can be mounted in any position. Always ensure that mounting surface can withstand 10 times the weight of the fixture.

Always use a safety cable when mounting the fixture in any elevated position.



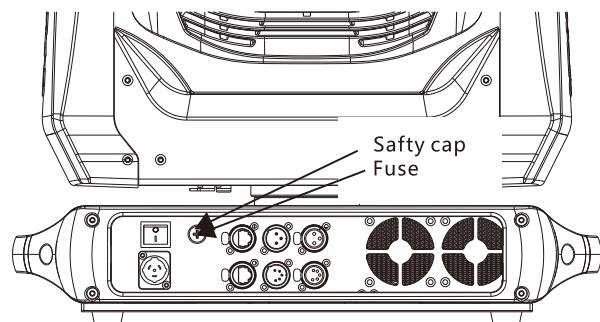
UPRIGHT



HANGING

2.2 Fuse replacement

- Remove the safety cap by a screwdriver.
- Fetch the old fuse from safety cap.
- Install a new fuse.
- Install the safety cap.



2.3 Power connections

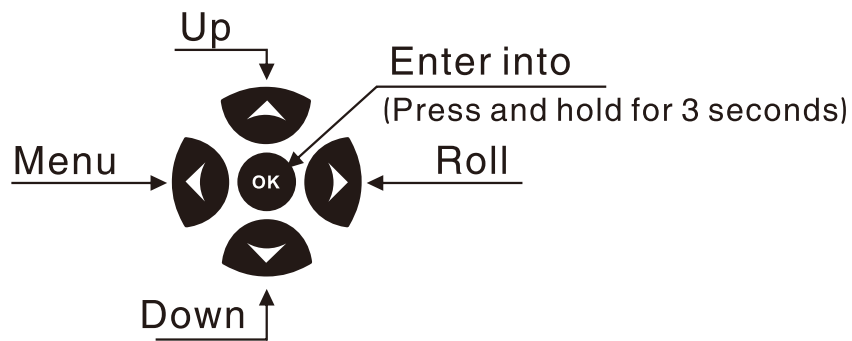
This product uses input and output power cable is 1.5 square mm copper wire

Note:

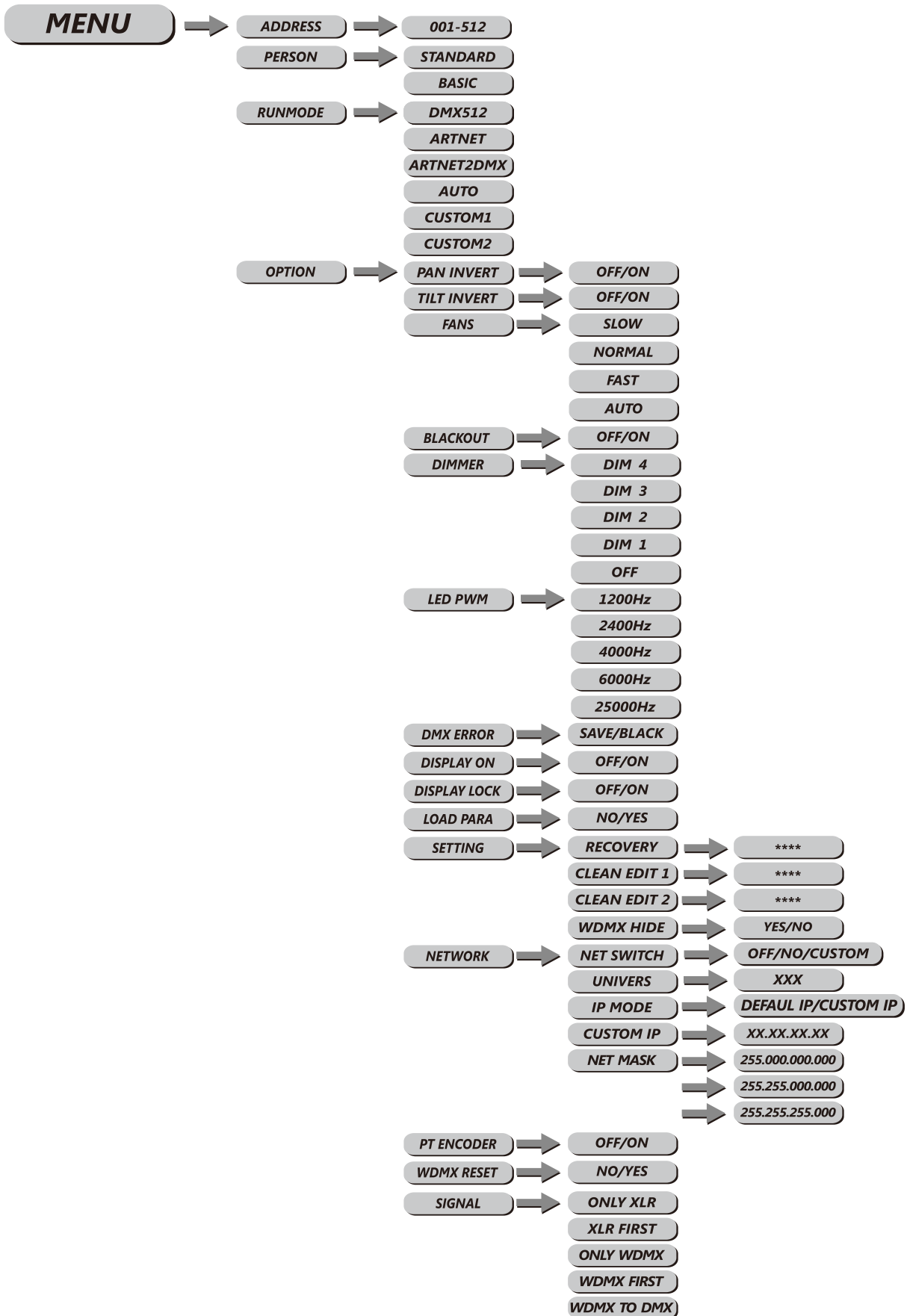
If the signal cable is over 60m between the DMX512 controller and fixture or between two fixtures, then a DMX signal amplifier is needed as well.

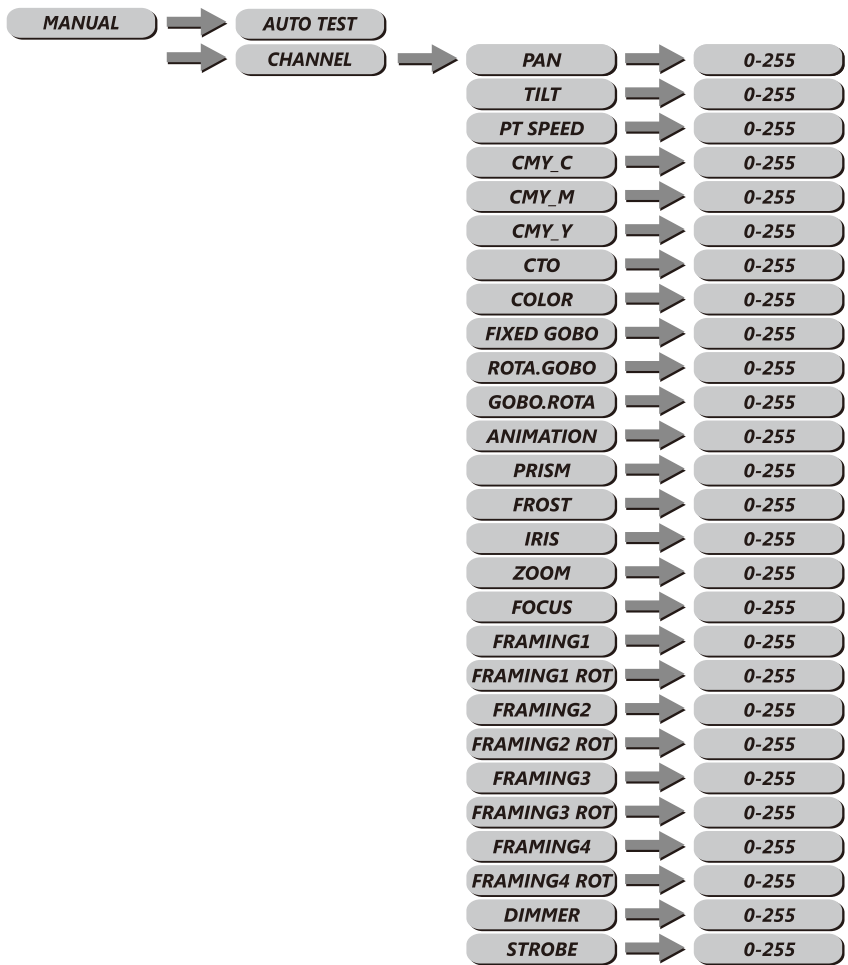
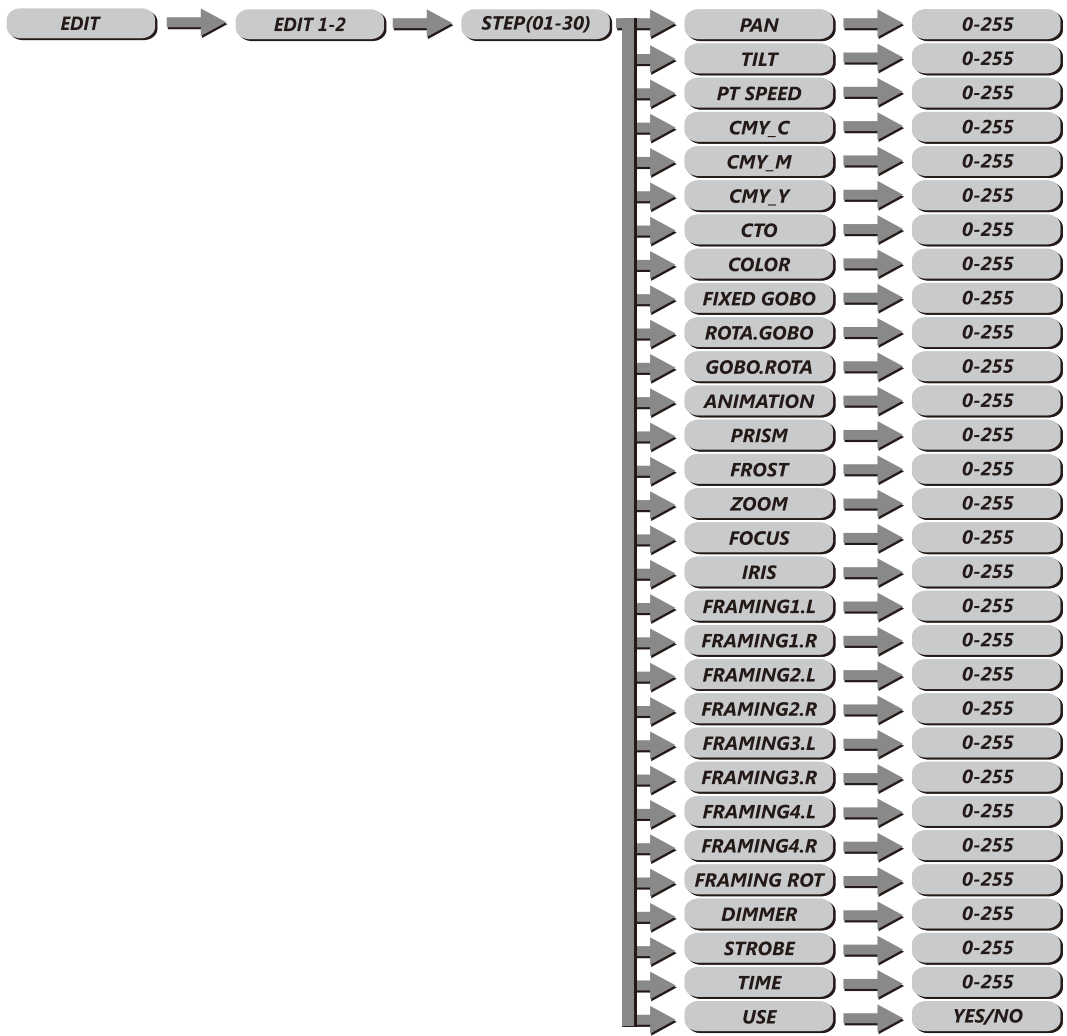
3 Display panel operation

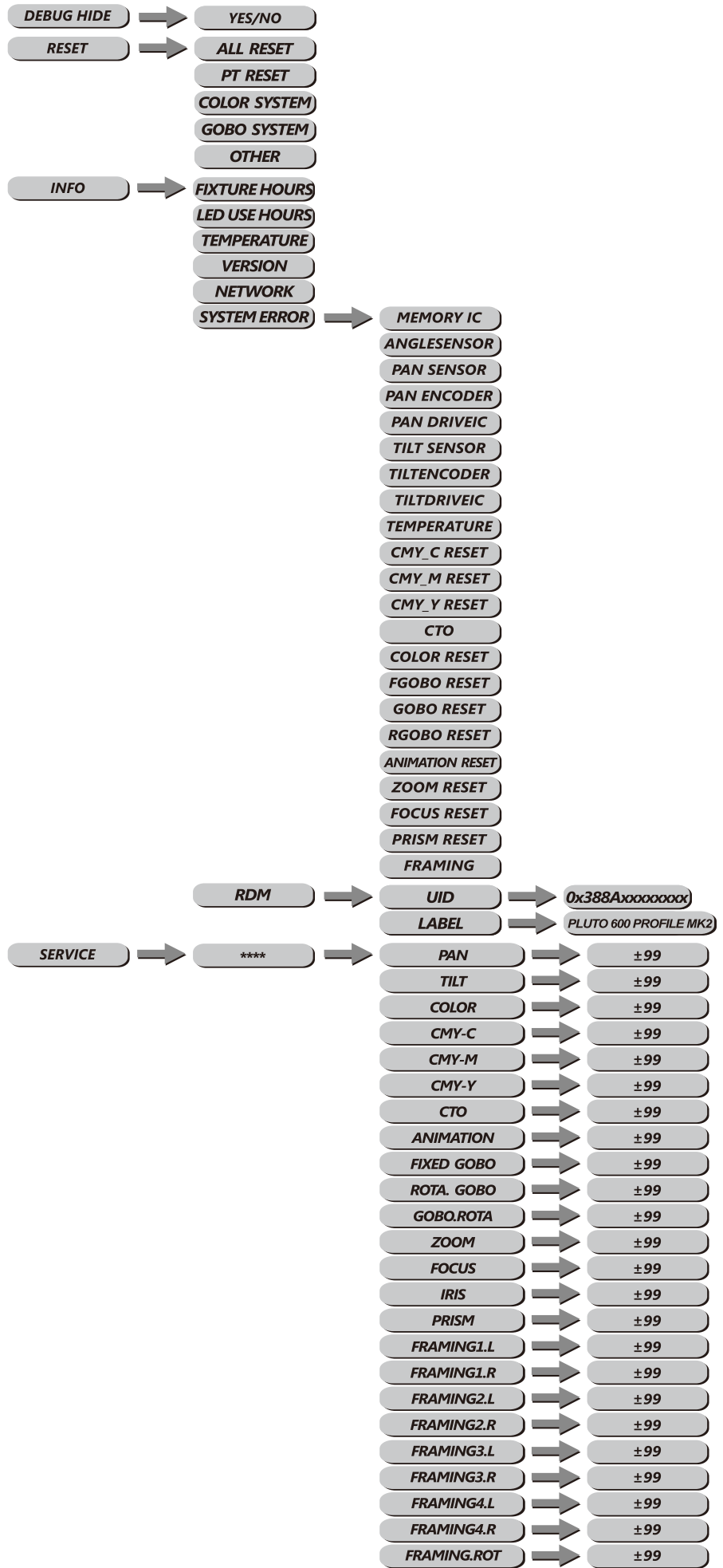
3.1 Display operation



3.2 Menu







3.3 DMX Address



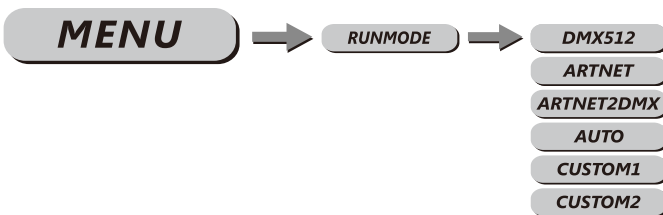
- Enter the **【DMX】** mode to set the DMX address.
- Enter Up/Down select **【1~512】** address.
- Enter **【MENU】** return.

3.4 Personality(Person)



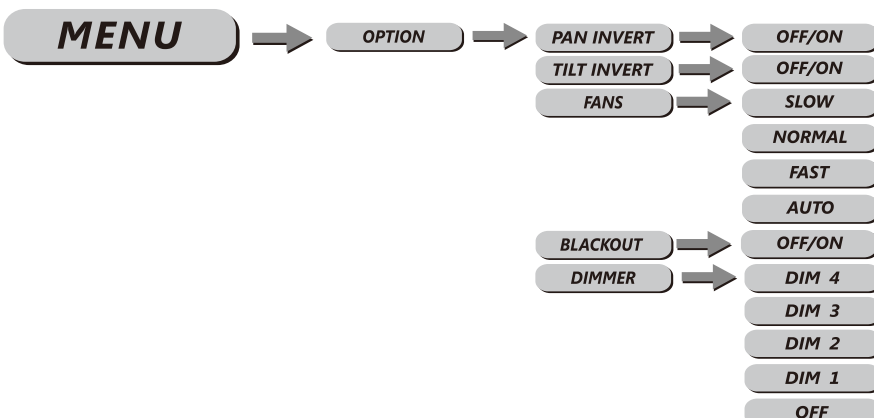
- Enter the **【PERSON】** mode to select DMX mode: **【STANDARD】**, **【BASIC】**.

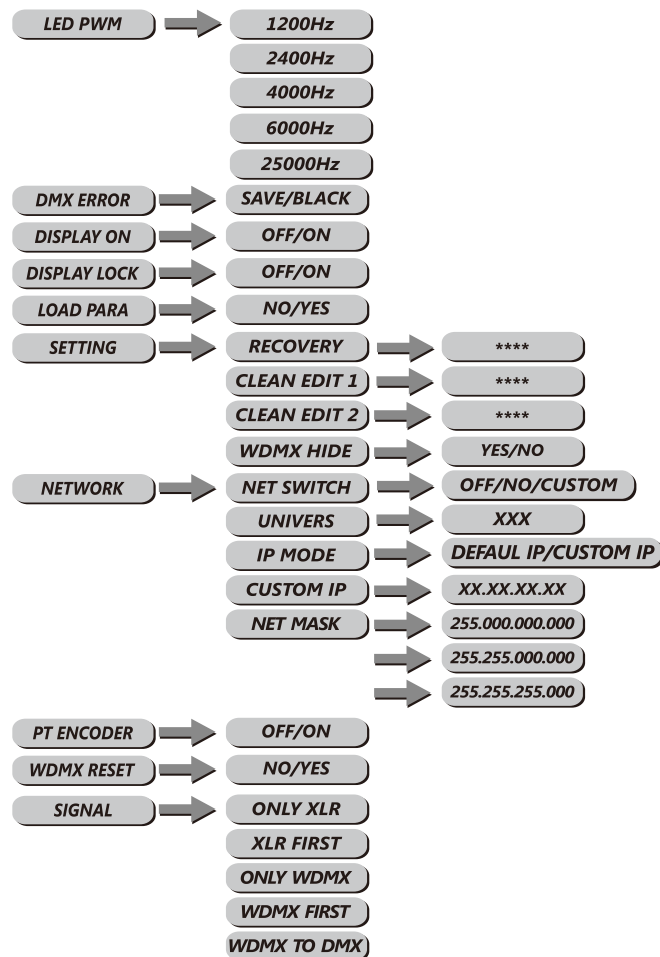
3.5 Runmode



- **【RUNMODE】** menu, select required run mode, There are six modes inside: **【DMX512】** DMX512 Mode, **【ARTNET】** Artnet Mode, **【ARTNET->DMX】** ARTNET to DMX Mode, **【AUTO】** Auto run Mode, **【CUSTOM1】** Customer self-editing scene mode1, **【CUSTOM2】** Customer self-editing scene mode2 Press **【DOWN】** / **【UP】** select mode.
- Press **【ENTER】** accept, Press **【MENU】** return.

3.6 Performance(Option)

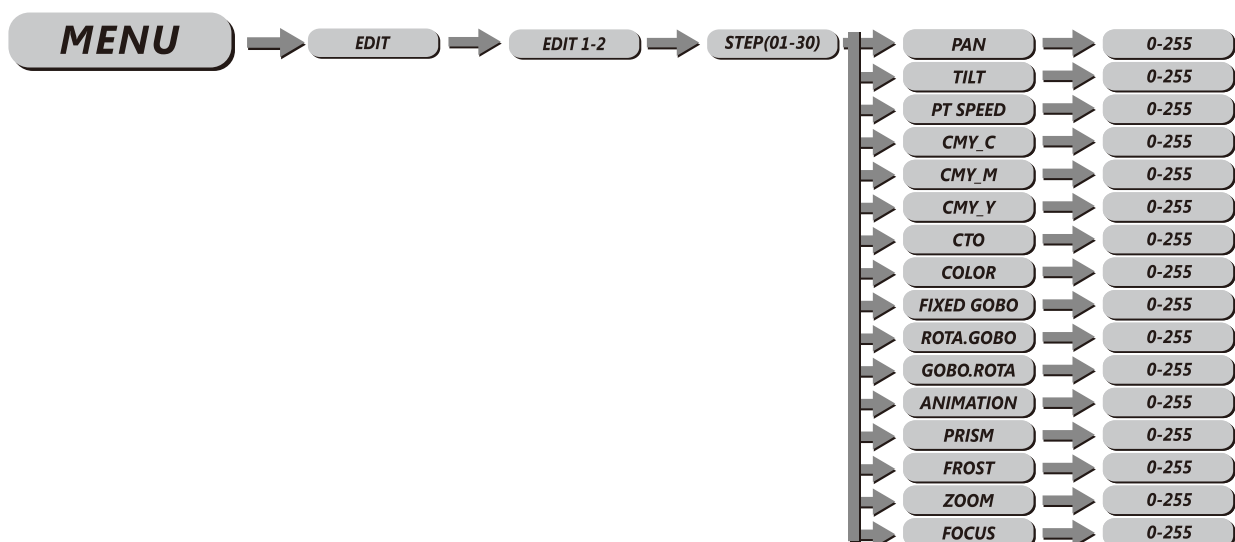


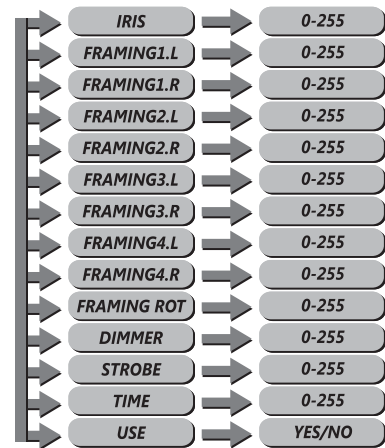


- Enter **【 OPTION 】** into the machine set.
- **【 PAN INVERT 】** menu, select **【 NORMAL 】** for normal direction,select **【 INVERT 】** for inverted of the PAN direction.
- **【 TITL INVERT 】** menu, select **【 NORMAL 】** for normal direction,select **【 INVERT 】** for inverted of the TITL direction.
- **【 FANS 】** menu, select **【 Slow/Norm/Fast/Auto 】** as required fan speed.
- Choose **【 OFF 】** and **【 ON 】** to close and open the **【 BLACKOUT 】** mode.
- **【 DIMMER 】** menu for selection of **【 DIM1/DIM2/DIM3/DIM4/OFF 】** special dimming curves.
- **【 LED PWM 】** is PWM refresh rate bottom, press UP/DOWN to choose <1200Hz>、<2000Hz>、<2400Hz>、<6000Hz>、<25000Hz>;
Attention: The gray level of dimming will be reduced as the refresh rate increases.
- **【 DMXerror 】** menu, select **【 SAVE 】** to maintain last command in case of DMX error or **【 BLACK 】** for blackout.
- Choose **【 OFF 】** and **【 ON 】** to close and open the display open & close mode in menu **【 DISPLAY ON 】**

- Choose **【 OFF 】** and **【 ON 】** to close and open the screen lock mode in menu **【 DISPLAY LOCK 】**
- **【 LOAD PARA 】** is Parameter upload Settings, enter **【 NO 】** do not upload, enter **【 YES 】** upload.
- **【 SETTING 】** Maintain Settings, select **【 RECOVERY 】** is restore default factory Settings. Press **【 ENTER 】** Enter password then press **【 ENTER 】** ,if your password correct there will display **【 OK 】** .
【 CLEAN EDIT1 】 clean Customer self–editing scene 1, press **【 ENTER 】** confirm.
【 CLEAN EDIT2 】 clean Customer self–editing scene 2, press **【 ENTER 】** confirm.
【 WDMX HIDE 】 hide wireless mode, WDMX RESET and SIGNAL hide and the default is wired mode only.
- **【 NETWORK 】** network setting, press **【 ENTER 】** in, Depending on the mode, you can hide unwanted features. For example Net Switch=Off IP Mode=Default.
【 UNIVERS 】 Packet group Settings, output grouping 0~255.
【 IP MODE 】 IP mode setting, **【 DEFAULTIP 】** is default IP, **【 CUSTOM IP 】** is customer's IP.
【 CUSTOM IP EDIT 】 is customer's IP setting.
【 NET MASK 】 Subnet Mask Settings.
- **【 PT ENCODER 】** XY Encoder switch, **【 OFF 】** is close, **【 ON 】** is open.
- **【 WDMX RESET 】** wireless resetting,use for patch wireless signal, **【 YES 】** is Clear the receiver's message,press again patch wireless signal, **【 No 】** do not clear the receiver's message.
- **【 SIGNAL 】** is signal setting, ONLY XLR is wire only, XLR FIRST is wire first, ONLY WDMX is wireless only.WDMX FIRS is wireless first , WDMX TO DMX is wireless to wired.

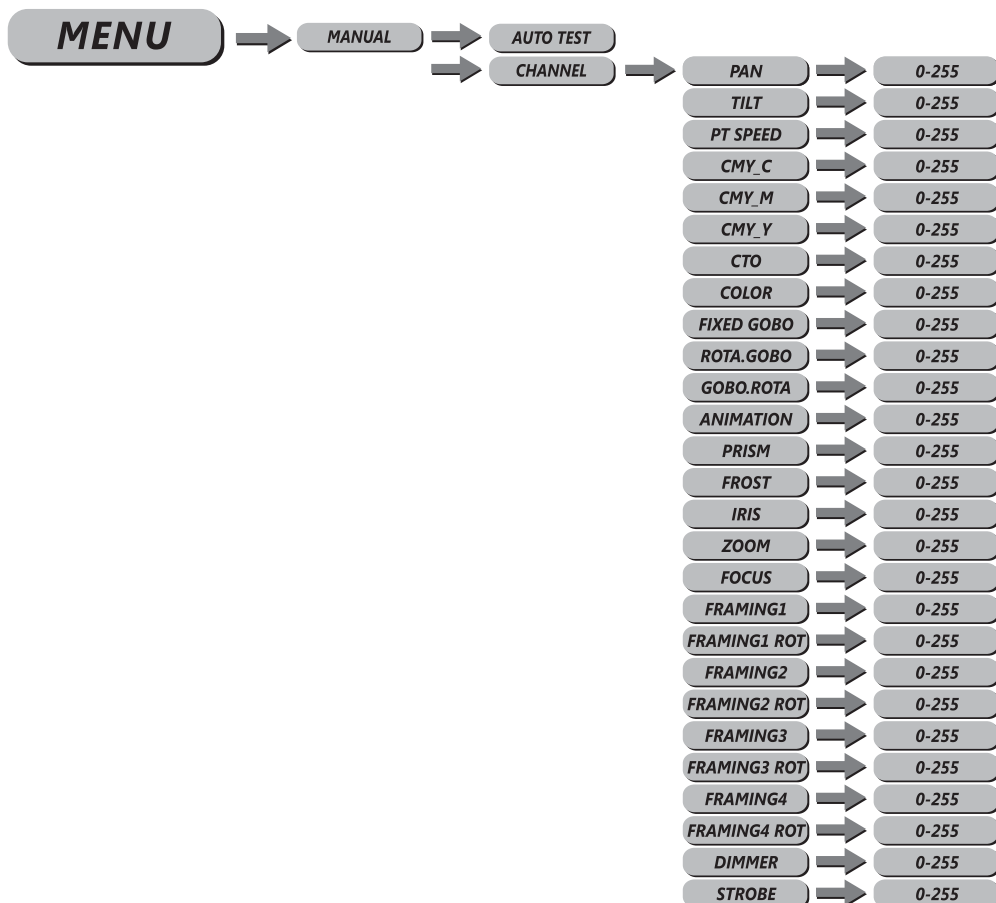
3.7 EDIT

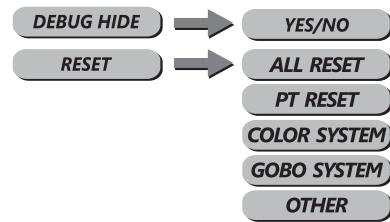




- Enter the [Edit] mode to edit the custom programs by adjusting the value of [PAN], [TILT], [PT SPEED], [CMY-C], [CMY-M], [CMY-Y], [CTO], [COLOR], [FIXED GOBO], [ROTA.GOBO], [GOBO.ROTA], [ANIMATION], [PRISM], [FROST], [ZOOM], [FOCUS], [FRAMING] FRAMING 1~4. setting position Left&Right , [FRAMING ROT], [DIMMER], [STROBE], [TIME] .
- Enter [Use] and select [Yes] to run the steps user need.

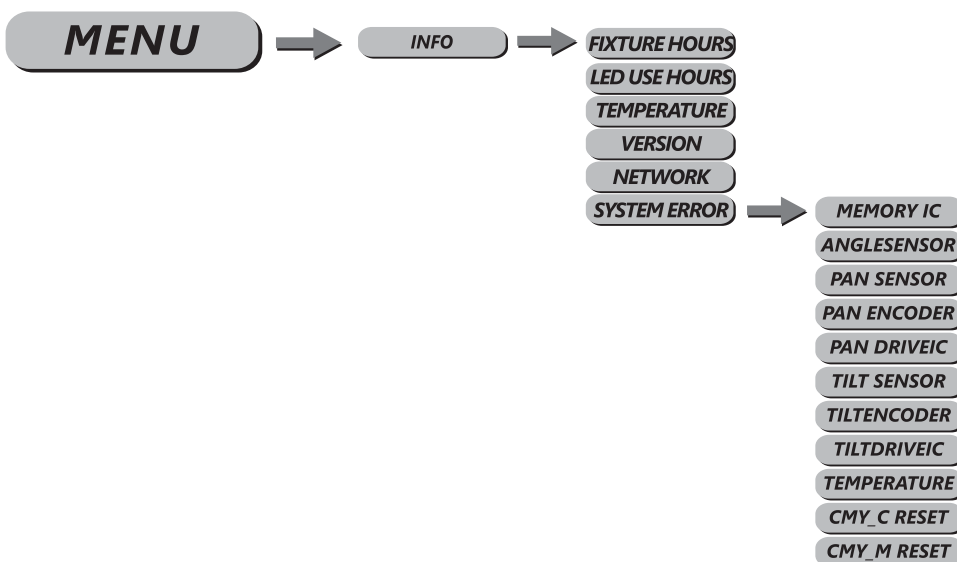
3.8 MANUAL

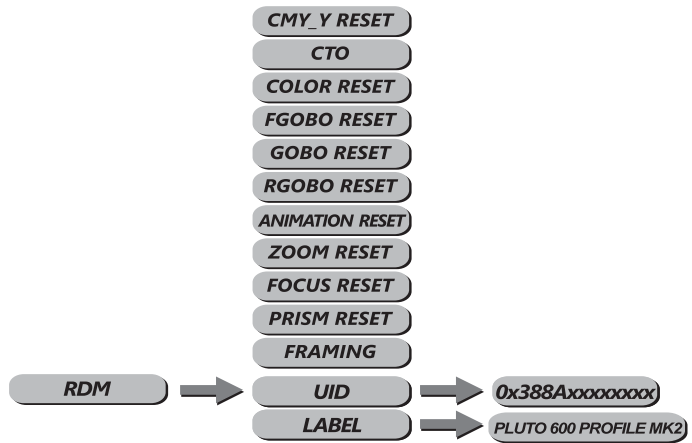




- Press [ENTER] into [AUTOTEST] at [MANUAL] .
- [PAN] pan set, [TILT] tilt set, [PTSPEED] set the pan & tilt speed, [CMY-C] CMY red, [CMY-M] CMY blue, [CMY-Y] CMY yellow, [CT0] Color wheel set, [COLOR] color temperature, [FIXED GOBO] set the static gobo wheel [ROTA.GOBO] set the rotating gobo wheel, [GOBO.ROTA] set the autogiration of gobo wheel, [ANIMATION] set the ANIMATION, [PRISM] set the prism, [FROST] set the frost lens, [ZOOM] set the zoom of fixture, [FOCUS] set the focusing, [DIMMER] set the dimmer, [STROBE] set the strobe, push the UP/DOWN to set the value [000~255] .
- [DEBUG HIDE] is the factory testing mode. All stepper motors are not controlled by signal, It only works again after the reset. enter No out、 enter Yes in.
- [RESET] set the reset:
 - [ALL RESET] menu, select Yes/No to carry out all reset.
 - [PT RESET] menu, select Yes/No to carry out PAN/TILT reset.
 - [COLOR SYSTEM] color wheel、 CMY resetting、 CT0 , press No do not resetting, press Yes resetting.
 - [GOBO SYSTEM] fix gobo resetting. press No do not resetting, press Yes resetting. [OTHER] focus、 zoom、 prism、 frost、 iris、 framing , press No do not resetting, press Yes resetting.

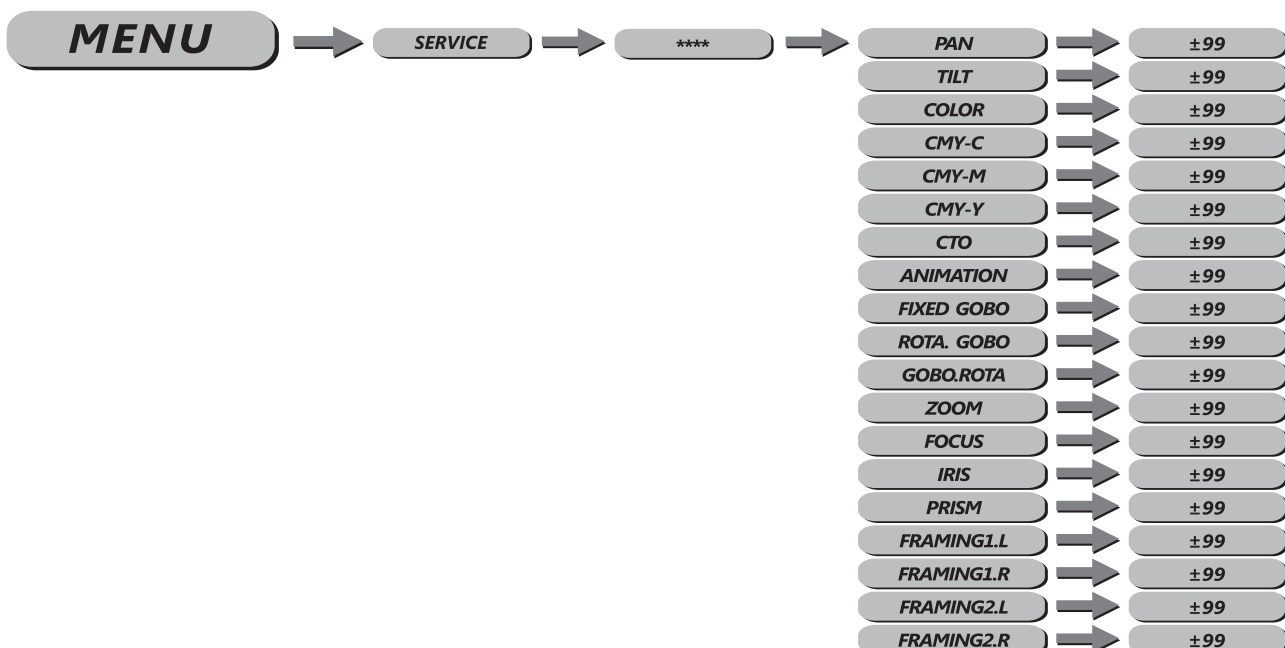
3.9 INFO

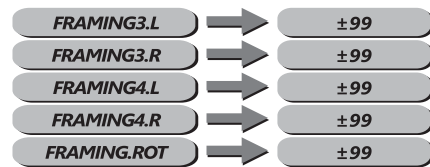




- Press [ENTER] into [INFO] check information,press up and down
 - 【 FIXTURE HOURS 】 is hours of fixture use;
 - 【 LED USE HOURS 】 is LED use time;
 - 【 TEMPERATURE 】 is led temperature.
 - 【 VERSION 】 is software versions;
 - 【 NETWORK PARA 】 check network parameter;
 - 【 SYSTEM ERROR 】 System information error: Memory IC,Angle Sensor,Pan Sensor,Pan Encoder,Pan Drive IC,Tilt Sensor,TiltEncoder,TiltDriveIC,Temperature,CMY–C reset , CMY–M reset , CMY–Y reset,CTO reset,Color reset,FGobo Reset,Gobo reset,RGobo reset, Animation reset,Zoom reset,Focus reset,Prism reset.
- 【 RDM 】 check fixture's ID.

3.10 SERVICE





- Press [ENTER] into [SERVICE] Enter password to enter the options page.
 - 【 PAN 】 Pan position fine adjustment, Push up and down buttons adjust ± 99 value.
 - 【 TILT 】 Tilt position fine adjustment, Push up and down buttons adjust ± 99 value.
 - 【 COLOR 】 Color position fine adjustment, Push up and down buttons adjust ± 99 value.
 - 【 CMY-C 】 CMY-C position fine adjustment, Push up and down buttons adjust ± 99 value.
 - 【 CMY-M 】 CMY-M position fine adjustment, Push up and down buttons adjust ± 99 value.
 - 【 CMY-Y 】 CMY-Y position fine adjustment, Push up and down buttons adjust ± 99 value.
 - 【 CT0 】 CMY-Y position fine adjustment, Push up and down buttons adjust ± 99 value.
 - 【 ANIMATION 】 Animation position fine adjustment, Push up and down buttons adjust ± 99 value.
 - 【 FIXED GOBO 】 Fix gobo position fine adjustment, Push up and down buttons adjust ± 99 value.
 - 【 ROTA. GOBO 】 Rotation gobo position fine adjustment, Push up and down buttons adjust ± 99 value.
 - 【 GOBO.ROTA 】 Gobo self-rotation position fine adjustment, Push up and down buttons adjust ± 99 value.
 - 【 ZOOM 】 Zoom position fine adjustment, Push up and down buttons adjust ± 99 value.
 - 【 FOCUS 】 Focus position fine adjustment, Push up and down buttons adjust ± 99 value.
 - 【 IRIS 】 Iris position fine adjustment, Push up and down buttons adjust ± 99 value.
 - 【 PRISM 】 Prism position fine adjustment, Push up and down buttons adjust ± 99 value.
- 【 FRAMING 1~4 L 】 : 1 ~ 4 cutting piece left direction position fine-tuning, through the up and down keys ± 99 numerical adjustment.
- 【 FRAMING 1~4 R 】 : 1 ~ 4 cutting piece right direction position fine-tuning, through the up and down keys ± 99 numerical adjustment.
- 【 FRAMING ROT 】 : Cutting disc rotating position fine-tuning, through the up and down keys ± 99 numerical adjustment.

4 Using a DMX512 Controller

4.1 Channel Assignment

Note: this product have two DMX512 channel configuration: 【 STANDARD 】 , 【 BASIC 】 .

BASIC	STANDARD	Value	Function
CH.1	CH.1	000-255	PAN 0-540°
	CH.2	000-255	PAN FINE
CH.2	CH.3	000-255	TILT 0-270°
	CH.4	000-255	TILT FINE
CH.3	CH.5	000-255	PT Speed
CH.4	CH.6	000-255	CYAN
CH.5	CH.7	000-255	MAGENTA
CH.6	CH.8	000-255	YELLOW
CH.7	CH.9	CT0	
		000-255	6800-2700K
CH.8	CH.10	CMY MACRO	
		0-10	No Function
		11-15	2700K
		16-20	3200K
		21-25	3500K
		26-30	4000K
		31-35	4500K
		36-40	5000K
		41-45	5400K
		46-50	5600K
		51-55	6000K
		56-60	6500K
		61-65	6800K
		66-70	L106
		71-75	L194
		76-80	L019
		81-85	R08
		86-90	L213
91-95	R80		

BASIC	STANDARD	Value	Function
		96-100	L202
		101-105	L328
		106-110	R3314
		111-115	L101
		116-120	L768
		121-128	No Function
		129-147	CYAN 100% / MAGENTA UP / YELLOW 0%
		148-166	CYAN DOWN / MAGENTA 100% / YELLOW 0%
		167-185	CYAN 0% / MAGENTA 100% / YELLOW UP
		186-204	CYAN 0% / MAGENTA DOWN / YELLOW 100%
		205-223	CYAN UP / MAGENTA 0% / YELLOW 100%
		224-242	CYAN 100% /MAGENTA 0%/YELLOW DOWN
		243-255	CYAN 100%/MAGENTA UP/YELLOW 0%
CH.9	CH.11	COLOR WHEEL 7+1	
		000-007	WHITE
		008-015	COLOR 1
		016-023	COLOR 2
		024-031	COLOR 3
		032-039	COLOR 4
		040-047	COLOR 5
		048-055	COLOR 6
		056-063	COLOR 7
		064-191	COLOR WHELL 0-360°
		192-222	COLOR WHELL RAINBOW EFFECT(SPEED 100%→1)
		223-224	STOP
		225-255	COLOR WHELL RAINBOW EFFECT(SPEED 1→100%)
CH.10	CH.12	000-255	COLOR WHELL FINE
		FIXED GOBO WHEEL10+1	
		000-010	WHITE
		011-015	FIXED GOBO WHEEL 1
		016-020	FIXED GOBO WHEEL 2
		021-025	FIXED GOBO WHEEL 3
		026-030	FIXED GOBO WHEEL 4
		031-035	FIXED GOBO WHEEL 5
		036-040	FIXED GOBO WHEEL 6

BASIC	STANDARD	Value	Function
CH.11	CH.13	041-045	FIXED GOBO WHEEL 7
		046-050	FIXED GOBO WHEEL 8
		051-055	FIXED GOBO WHEEL 9
		056-060	FIXED GOBO WHEEL 10
		061-065	FIXED GOBO WHEEL 1 SHAKE (SPEED 1 → 100%)
		066-070	FIXED GOBO WHEEL 2 SHAKE (SPEED 1 → 100%)
		071-075	FIXED GOBO WHEEL 3 SHAKE (SPEED 1 → 100%)
		076-080	FIXED GOBO WHEEL 4 SHAKE (SPEED 1 → 100%)
		081-085	FIXED GOBO WHEEL 5 SHAKE (SPEED 1 → 100%)
		086-090	FIXED GOBO WHEEL 6 SHAKE (SPEED 1 → 100%)
		091-095	FIXED GOBO WHEEL 7 SHAKE (SPEED 1 → 100%)
		096-100	FIXED GOBO WHEEL 8 SHAKE (SPEED 1 → 100%)
		101-105	FIXED GOBO WHEEL 9 SHAKE (SPEED 1 → 100%)
		106-110	FIXED GOBO WHEEL 10 SHAKE (SPEED 1 → 100%)
		111-127	WHITE
		128-190	STATIC GOBO JUMPING WATER EFFECT (SPEED 100 → 1%)
		191-192	STOP WATER EFFECT
193-255	STATIC GOBO FLOWING WATER EFFECT (SPEED 1 → 100%)		
CH.12	CH.14	ROTATING GOBO 7+1	
		000-010	WHITE
		011-018	GOBO 1
		019-026	GOBO 2
		027-034	GOBO 3
		035-042	GOBO 4
		043-050	GOBO 5
		051-058	GOBO 6
		059-066	GOBO 7
		067-074	ROTATING GOBO 1 SHAKE (SPEED 1 → 100%)
		075-082	ROTATING GOBO 2 SHAKE (SPEED 1 → 100%)
		083-090	ROTATING GOBO 3 SHAKE (SPEED 1 → 100%)
		091-098	ROTATING GOBO 4 SHAKE (SPEED 1 → 100%)
		099-106	ROTATING GOBO 5 SHAKE (SPEED 1 → 100%)
		107-114	ROTATING GOBO 6 SHAKE (SPEED 1 → 100%)
		115-122	ROTATING GOBO 7 SHAKE (SPEED 1 → 100%)
		123-127	WHITE

BASIC	STANDARD	Value	Function
		128–190	ROTATING GOBO FLOWING WATER EFFECT (SPEED 100 → 1%)
		191–192	STOP WATER EFFECT
		193–255	ROTATING GOBO FLOWING WATER EFFECT (SPEED 1 → 100%)
CH.13	CH.15	GOBO ROTATING	
		0–120	ROTATING GOBO ANGLE ADJUSTMENT (0 → 360°)
		121–125	STOP
		126–165	ROTATING GOBO SHAKE (SPEED 1 → 100%)
		166–170	STOP
		171–210	ROTATING GOBO POSITIVE ROTATION (SPEED 100% → 1)
		211–215	STOP
		216–255	ROTATING GOBO REVERSE ROTATION (SPEED 1 → 100%)
CH.14	CH.16	ANIMATION	
		0–010	WHITE
		11–140	CONTINUOUS ROTATION (FORWARD →REVERSE)
		141–146	STOP
		147–200	FORWARD ROTATION FROM SLOW TO FAST, QUICK RETURN
201–255	REVERSE ROTATION FROM SLOW TO FAST, QUICK RETURN		
CH.15	CH.17	PRISM	
		0–10	WHITE
		11–145	PRISM INSERT AND ADJUST THE ANGLE (0 → 360°)
		146–150	STOP
		151–200	PRISM INSERT AND POSITIVE ROTATION (SPEED 100% → 1)
		201–205	STOP ROTATION
206–255	PRISM INSERT AND REVERSE ROTATION (SPEED 1 → 100%)		
CH.16	CH.18	FROST	
		0–255	FROST 0–100%
CH.17	CH.19	IRIS	
		0–127	IRIS OPEN → CLOSE (FROM LARGE TO SMALL)
		128–130	IRIS CLOSE
		131–171	IRIS FADE IN FADE OUT (SPEED 1 → 100%)
		172–211	IRIS FAST IN FADE OUT RANDOMLY (SPEED 1 → 100%)
		212–251	IRIS FADE IN FAST OUT RANDOMLY (SPEED 1 → 100%)
		252–255	IRIS CLOSE
CH.18	CH.20	0–255	FRAMING 1 LEFT
CH.19	CH.21	0–255	FRAMING 1 RIGHT

BASIC	STANDARD	Value	Function
CH.20	CH.22	0-255	FRAMING 2 LEFT
CH.21	CH.23	0-255	FRAMING 2 RIGHT
CH.22	CH.24	0-255	FRAMING 3 LEFT
CH.23	CH.25	0-255	FRAMING 3 RIGHT
CH.24	CH.26	0-255	FRAMING 4 LEFT
CH.25	CH.27	0-255	FRAMING 4 RIGHT
CH.26	CH.28	0-255	FRAMING ROT
CH.27	CH.29	0-255	ZOOM
CH.28	CH.30	AUTO FOCUS	
		0-12	NO FUNCTION
		13-39	5 METER
		40-66	7 METER
		67-93	9 METER
		94-120	11 METER
		121-147	13 METER
		148-174	15 METER
		175-201	17 METER
		202-228	19 METER
229-255	21 METER		
CH.29	CH.31	0-255	MANUAL FOCUS
CH.30	CH.32	0-255	DIMMER
	CH.33	0-255	DIMMER FINE
CH.31	CH.34	STROBE	
		0-9	NO FUNCTION
		10-99	STROBE (FROM SLOD TO FAST)
		100-109	NO FUNCTION
		110-179	LIGHTNING STROBE
		180-189	NO FUNCTION
190-255	RANDOM SROBE		
		CONTROL	
		000-010	NO FUNCTION
		011-020	PAN/TILT BLACK ACTIVATED
		021-030	PAN/TILT BLACK DEACTIVATED
		031-040	PAN INVERT
		041-050	TILT INVERT

BASIC	STANDARD	Value	Function
CH.32	CH.35	051-060	PAN/TILT INVERT OFF
		061-070	FAN SLOW
		071-080	FAN NORMAL
		081-090	FAN FAST
		091-100	FAN AUTO
		101-110	DIM4
		111-120	DIM3
		121-130	DIM2
		131-140	DIM1
		141-150	DIM0
		151-160	1200Hz
		161-170	2400Hz
		171-180	4000Hz
		181-190	6000Hz
		191-200	25000Hz
		201-210	ALL RESET
		211-220	XY RESET
		221-230	COLOR SYSTEM RESET
		231-240	GOBO RESET
		241-250	FOCUS\ZOOM\FROST\PISM RESET
251-255	FRAMING RESET(EXECUTE AFTER 3 SECONDS)		